



# Pro Vac 1060



## Operator Manual

**Locke Turf**

**307 Highway 52E, Opp, Alabama, 36467, (334) 493-1300**

# CONGRATULATIONS

You have invested in the best implement of its type on the market today.

The care you give your Locke Turf implement will greatly determine your satisfaction with its performance and its service life. We urge a careful study of this manual to provide you with a thorough understanding of your new implement before operating, as well as suggestions for operation and maintenance.

If your manual should become lost or destroyed, Locke Turf will be glad to provide you with a new copy. Order from Locke Turf, 307 Highway 52E, Opp, Alabama 36467.

As an Authorized Locke Turf dealer, we stock genuine Locke Turf parts which are manufactured with the same precision and skill as our original equipment. Our trained service personnel are well informed on methods required to service Locke Turf equipment, and are ready and able to help you.

Should you require additional information or assistance, please contact us.

YOUR AUTHORIZED  
LOCKE TURF DEALER

BECAUSE LOCKE TURF MAINTAINS AN ONGOING PROGRAM OF PRODUCT IMPROVEMENT, WE RESERVE THE RIGHT TO MAKE IMPROVEMENTS IN DESIGN OR CHANGES IN SPECIFICATIONS WITHOUT INCURRING ANY OBLIGATION TO INSTALL THEM ON UNITS PREVIOUSLY SOLD.

BECAUSE OF THE POSSIBILITY THAT SOME PHOTOGRAPHS IN THIS MANUAL WERE TAKEN OF PROTOTYPE MODELS, PRODUCTION MODELS MAY VARY IN SOME DETAIL. IN ADDITION, SOME PHOTOGRAPHS MAY SHOW SHIELDS REMOVED FOR PURPOSES OF CLARITY. **NEVER OPERATE** THIS IMPLEMENT WITHOUT ALL SHIELDS IN PLACE.

# ProVac 1060

# Operator's Manual

## Table of Contents

<b>SECTION</b>	
Introduction .....Inside front cover	Ignition Switch .....8
Warranty .....3	<b>Lubrication and Maintenance</b>
<b>Safety</b>	Fan Shaft .....9
Important Safety Information .....4	Wheel Bearings .....9
Training .....4	Engine Oil.....9
Preparation .....4	Changing Oil .....10
Safety Precautions .....5,6	Air Cleaner... ..10
<b>Operation</b>	Engine Cooling .....10
Pre-Starting the Engine .....7	Battery .....11
Towing and Setup .....7	<b>Adjustments</b>
Tire Pressure.....7	Belt Replacement .....12
Scoop.....7	Belt Adjustments .....12
Closure Flap.....7	<b>Cleaning and Storage</b>
Hopper Door Release .....7	Vacuum Cleaning .....13
Fuel .....8	Engine Storage .....13
Throttle .....8	
Hard Surface/Turf .....8	

## RETAIL CUSTOMER'S RESPONSIBILITY UNDER THE LOCKE TURF INC. WARRANTY

It is the Retail Customer and /or Operator's responsibility to read the Operator's Manual, to operate, lubricate, maintain, and store the product in accordance with all instructions and safety procedures. Failure of the operator to read the Operator's Manual is a misuse of this equipment.

It is the Retail Customer and/or Operator's responsibility to inspect the product and to have any part(s) repaired or replaced when continued operation would cause damage or excessive wear to other parts or cause a safety hazard.

It is the Retail Customer's responsibility to deliver the product to the authorized Locke Turf distributor from whom he purchased it, for service or replacement of defective parts that are covered by warranty. Repairs to be submitted for warranty consideration must be made within forty-five (45) days of failure.

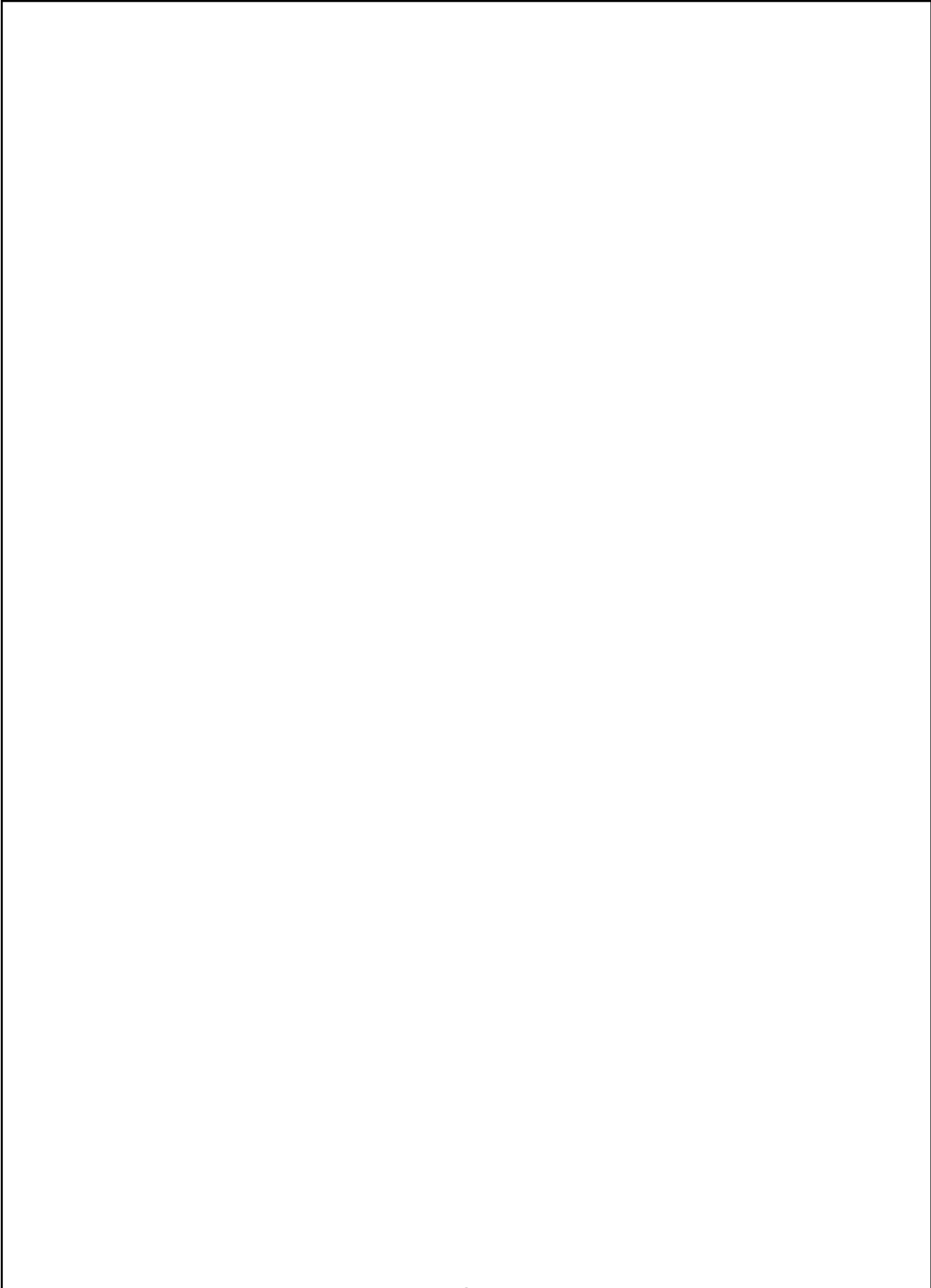
It is the Retail Customer's responsibility for any cost incurred by the Dealer for traveling to or hauling of the product for the purpose of performing a warranty obligation or inspection.

### UNDERSTAND SIGNAL WORDS

**DANGER:** Indicates an imminently hazardous situation which, if not avoided, will result in death or serious injury. this signal word is to be limited to the most extreme situations.

**WARNING:** Indicates a potentially hazardous situation which, if not avoided, could result in death or serious injury.

**CAUTION:** Indicates a potentially hazardous situation which, if not avoided, may result in minor or moderate injury. It may also be used to alert against unsafe practices.



# **LOCKE MOWER**

## **1 Year Limited Warranty**

### **WARRANTY PERIOD AND COVERAGE**

- A. Locke Turf, Inc. warrants to the original purchaser, and to subsequent owners, that the registered Locke Mower will be free from defects in materials and workmanship for a period of one (1) year from the date of purchase by the original owner.
- B. Locke Turf, Inc. will, at its discretion, replace any component or authorize the mower to be repaired, when a defect in material or workmanship has been determined.
- C. For this warranty to be effective, the mower must be registered, using the prescribed form, within ten (10) days of the original purchase.
- D. For this warranty to continue past the original owner, the factory must be notified of the new owners name, address, and phone number, along with the mower serial number, within ten (10) days of the purchase.

### **WARRANTY EXCLUSIONS, LIMITATIONS AND RIGHTS**

- A. Engines are not covered by this warranty but may be covered in separate warranties by their respective manufactures.
- B. Any failure resulting from accident, abuse, unauthorized modification, lack of reasonable maintenance as instructed in the Locke owners manual, or as a result of normal wear and tear is not covered by this warranty.
- C. This warranty is void if a part is used on the mower that is not specifically manufactured by or supplied by Locke Turf, Inc., whether related to a failure or not.
- D. This warranty is given in lieu of all other warranties, expressed or implied, including any warranties or merchantability or fitness for any particular purpose.
- E. Any implied warranties arising under state or federal laws shall be in effect only for the ninety (90) day period commencing on the date of sale of the mower to the original purchaser and shall terminate thereafter.
- F. The sole and exclusive remedy for any damage or injury resulting from alleged defects in materials or workmanship or for any breach of any expressed or implied warranty shall be to submit the mower or component part(s) for repair and/or replacement. All rights to any other remedy or damages including consequential, incidental and punitive damages are waived.
- G. The interpretation of this warranty and rights thereof is vested exclusively in Locke Turf, Inc.

Locke Turf, Inc.  
Opp, Alabama USA

## SECTION 1—SAFETY

### IMPORTANT SAFETY INFORMATION



This Safety Alert Symbol means:

**ATTENTION! BECOME ALERT!  
YOUR SAFETY IS INVOLVED!**

The Safety Alert Symbol identifies important safety messages in manuals and on equipment safety signs. To avoid possible injury or death, follow the equipment and manual's safety instructions.

In addition to the design and configuration of equipment, hazard control and accident prevention are dependent upon the awareness, concern, prudence and proper training of personnel in the operation, transport, maintenance and storage of equipment.

Read the operator's manual for your safety and understanding of the equipment. Store the manuals in a safe and accessible location for your future reference.

### TRAINING

1. Read the operating and service instruction manual carefully. Be thoroughly familiar with controls and the proper use of the equipment.
2. NEVER allow children to operate the ProVac 1060.
3. Keep the area of operation clear of all persons, particularly small children, and pets.
4. Original purchaser of unit was instructed by seller on safe and proper operation and use. If this unit is to be used by someone other than original purchaser such as loaned, rented or sold, ALWAYS provide this manual and any needed safety training before operation.

### SAFETY PRECAUTIONS

Be aware of traffic at all times when operating along streets and curbs. Set up safety signs and/or flags.

Operate the equipment only where there is good visibility and light.

Reduce speed of the tow vehicle when pulling the vacuum on slopes to prevent tipping or loss of control.

DO NOT operate on steep slopes.

If the vacuum mechanism strikes a foreign object or if your machine should start making unusual noises or vibration, immediately stop the engine, remove the ignition key, disconnect the spark plug wire from the spark plug and move it away from the spark plug, and take the following steps:

- Inspect for damage
- Replace or repair any damaged parts.
- Inspect for any loose parts and tighten to assure continued safe operation.

Limit loads to those you can safely control

The engine must be kept clean and free of debris and other accumulations.

Never place hands, other body parts or clothing inside the vacuum chamber.

Keep all guards and deflectors in place and in good working condition to assure continued safe operation.

This product is equipped with an internal combustion engine. DO NOT use on or near any unimproved, forest or brush covered land unless the exhaust system is equipped with a spark arrester meeting applicable local, state and federal laws. A spark arrester, if used, must be maintained in effective working condition by the operator.



**SOME ILLUSTRATIONS MAY SHOW SHIELDS OR COVER PANELS REMOVED FOR CLARITY. NEVER OPERATE UNIT WITHOUT ALL SHIELDS AND COVER PANELS IN PLACE.**

## Safety Precautions Continued

### Operator Awareness

NEVER operate unit after of during the consumption of medication, drugs or alcohol which may impair normal alertness or coordination.

If it is necessary to operate the engine in an enclosed area, always provide proper exhaust ventilation.

This equipment should never be operated in the vicinity of children, pets or other persons.

Never allow children to operate the equipment.

### Hopper Door

Inspect and secure the hopper door latch before starting engine. DO NOT open the hopper door while the engine is running. Use caution when opening and closing the hopper door. Door is spring loaded and will open and close firmly.

### Safety Gear

Wear safety gear for protection.

Keep hair, loose clothing and jewelry away from rotating parts.

### Safety Goggles

Wear safety goggles to protect eyes from thrown objects. Always stand clear of the discharge area located at the top rear of hopper when machine is operating.

### Entanglement

NEVER place your hands or other body parts inside or near any moving part while unit is running.

### Hot Surfaces

DO NOT touch unit parts which might be hot from operation. Allow parts to cool before attempting to maintain, adjust or service.

### Pinch Points

ALWAYS keep hands away from all pinch points.

### Exhaust Fumes

Fumes from engine exhaust can cause injury or death. DO NOT operate in an enclosed area.

### Hopper Loading

Use this unit exclusively for hauling and collecting or vacuumed debris only. DO NOT use hopper for hauling other materials.

### Clogged Vacuum

If the vacuum becomes clogged, shut off engine, remove ignition key, disconnect spark wire and wait until all moving parts stop before clearing debris.

### Fuel Handling

Fuel is highly flammable and its vapors are explosive. Handle with care.

Store fuel ONLY in tightly closed approved containers and in areas designated for authorized storage of combustible materials.

Fill engine mounted tanks only after allowing engine to cool. DO NOT fill tank indoors or when engine is running.

Do not allow open flames, electrical sparks or smoking materials near the fuel tank or open fuel container.

ALWAYS allow engine to cool before servicing.

NEVER fill tank when engine is running or hot from operation.

NEVER fill or drain tank indoors.

Replace fuel cap securely and wipe up spilled fuel. Immediately clean up spilled fuel and dispose of rags in safe manner.

## MAINTENANCE

### Stop Engine

Shut down engine remove ignition key and disconnect spark wire before performing maintenance or adjustments.

### Cool Engine

ALWAYS allow the engine to cool before maintenance, adjustments, or service.

DO NOT operate engine if air cleaner or carburetor air intake cover is removed (except of adjustments). Removal of the air cleaner or carburetor intake cover could create a fire hazard.

### Engine Speed

The engine governor settings must not be altered changed or tampered with. The governor controls the maximum safe operating speed and protects the engine from damage. If the governor should require adjustment the adjustments should be made only by an authorized service technician.

### Hardware

Before starting the vacuum, ensure that all screws, nuts, bolts and other fasteners are properly secured.

### Safety Covers

Operate only when all guards, covers, access panels, etc. are in place and securely fastened.

Replace all missing or damaged hardware.

Replace all damaged, missing or unreadable warning and operating decals. (See Parts Manual for decals)

## **Battery**

Explosive gases from battery can cause serious injury or death.

Do not allow open flames, electrical sparks or smoking materials near the battery.

Wear safety glasses and protective gear when handling batteries to protect eyes, skin or clothing.

## **Parking**

Chock wheels whenever unit is parked or stored to prevent roll away.

## **Cleaning**

Keep unit free of grass, leaves, or other debris. Clean up oil or fuel spills.

Empty hopper and clean any accumulated debris from vacuum and prior to storage.

## **Storage**

For unit storage or extended storage:

- NEVER store with fuel in tank, inside a building where ignition sources are present
- Allow engine to cool completely
- Always remove ignition key to prevent unauthorized use.

## **Adjustments/Attachments**

Shut off engine, remove ignition key and wait for all moving parts to come to a complete stop before performing any adjustments including closure flap positioning or changing attachments.

# Operation

**NOTE:** all references to “Left” , “Right” and “Back” are given from the operators position on the towing vehicle.

## Pre-Starting Engine

Ensure that the engine crankcase oil is at the proper level. Fill or change per instructions in Lubrication and Maintenance Section.

Inspect the air filter for dirt and clean as required. Refer to Lubrication and Maintenance Section



Ensure that all guards, covers and panels are in place and securely fastened before operation. Ensure that all hardware is tight and properly adjusted.

## Towing and Setup

**NOTE:** It is the owner and/or user’s responsibility to ensure that the Pro-Vac is in conformance with all local legal requirements for towed equipment and trailers (i.e., lighting, licensing, reflectors, etc.) when transporting the equipment.

Inspect the wheel bearings to ensure they are will packed with grease. See Lubrication and Maintenance Section for proper procedure.

**IMPORTANT:** Raise the jack stand to its full up position before towing.

## Tire Pressure

Inflate tires to 50 PSI before towing or operating the vacuum.

Check the tire pressure, tire condition and that the wheel hub bolts are tight before each towing.

**NOTE:** Use extreme care when backing the unit. Do not use the vacuum to haul extra items or passengers.

## Belt

**IMPORTANT:** Belt tends to “seat-in” during the first few hours of operation. Adjust belt tension after the first two hours of operation and every 20 hours thereafter as necessary.

## Scoop

Adjust the scoop height using the scoop height adjustment lever located at the left side of the unit. Push the scoop height adjustment lever down to release the chain. Adjust the chain to the desired level. Release lever.

**NOTE:** To fine tune the scoop down-position, move the chain anchor by loosening the chain anchor bolt and sliding it in the slot to the desired position. Retighten bolt.

The front skirt is higher than the rear skirt in order to allow leaves and debris to enter while providing maximum suction by closing off at the rear. However, the holes for the front skirt are slotted. If the vacuum is to be used primarily on loose leaves and debris, it may be more effective to move the skirt higher in the slots.

Loosen the five bolts, move the skirt and retainer higher in the slot and retighten the bolts. This allows maximum entry of loose material without “plowing” and still provides proper suction by keeping the rear skirt close to the cleaned surface.

## Closure flap

The closure flap is located inside the scoop and is operated by the closure flap handle at the back side of the scoop. This flap is used with the optional hand pickup hose. It stops air from entering the scoop and allows full suction through the hand pickup hose connected to the inspection hole at the left side of the scoop.



Suction from the vacuum will move the closure flap and handle abruptly. When selecting closure flap positions, turn engine off or to idle.

## Hopper Door Release

The Hopper door release is located at the right side of the hopper. To release the hopper door pull the lever forward and unhook. Let the lever back until it stops. The hopper door may now be opened, allowing debris to be emptied form the hopper. After the hopper is empty, close the door, bring the lever forward and push in the hook.

## Fuel



Gasoline is highly flammable and must be handled with care. Never fill the tank while engine is running or hot from operation. Allow engine to cool several minutes before removing the fuel cap. DO NOT allow open flames, electrical sparks or smoking materials near the fuel tank or open fuel container. DO NOT over fill. Wipe up any spilled fuel and properly dispose of the rags. Use ONLY approved fuel containers.

**NOTE:** To prevent foreign particles from entering the tank while filling, wipe dust, dirt and debris from around the fill cap before opening.

Check fuel supply. Fill gasoline tank with, clean, fresh, low lead or lead free gasoline (leaded if unleaded is unavailable). DO NOT use premium, gasohol or gasoline that has been mixed with oil.

## Throttle

Engine RPM can be adjusted for desired amount of suction. See engine manual.

By adjusting scoop height, engine RPM and ground speed together, the desired amount of debris pickup can be achieved.

**NOTE:** Then following conditions are given for reference only. Engine RPM and scoop height should be adjusted for each condition encountered.



Engine idle speed and top governed speed are factory adjusted. DO NOT change engine governor setting or over-speed engine.

## Hard Surface

When vacuuming hard dusty surfaces the engine should remain between 1/2 and 3/4 throttle. The scoop should be from mid to upper height.

## Turf

For general turf cleanup, the engine should operate at full (3600 RPM) throttle. The scoop height adjustment should be set, depending on turf conditions, to prevent scalping. See "Scoop".

## Choke

Pull choke to start a cold engine. When the engine has started, push the choke knob back to the in position. (It should not be necessary to use the choke to start a warm engine.)

## Ignition Switch

Turn the key to (START) position and release after the engine starts. If the engine fails to start on the first attempt, turn the ignition key (OFF), wait a few seconds and try again. The best starter service is achieved using short starting cycles.

**IMPORTANT:** DO NOT operate starter motor more than 15 seconds per minute to avoid overheating or damage.

After the engine has started, allow it to warm up before applying load.

Turn ignition key counterclockwise to (OFF) and stop engine.



Turn the ignition key (OFF) and remove it before attempting any maintenance, adjustment or leaving the unit unattended.

# Lubrication and Maintenance

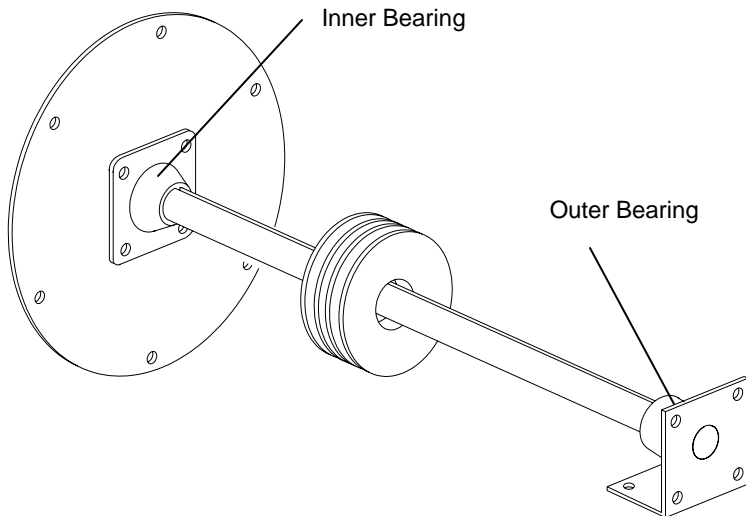
Locke Turf dealers will provide any service which may be required to keep your Pro Vac operating at peak efficiency. Should engine repair or service be required, they can be obtained from a Locke Turf dealer or an authorized engine manufacturer's service center.

<b>⚠ WARNING ⚠</b>
Stop engine, Remove key and wait for all moving parts to stop before attempting any lubrication or maintenance procedures.

<b>⚠ CAUTION ⚠</b>
DO NOT touch engine or vacuum parts which are hot from operation. Allow such parts (i.e., muffler, engine, muffler guards, etc.) to cool before servicing.

## Fan Shaft

The two fan shaft bearings in the figure below can be accessed through holes in the shaft guard. Both Bearings have grease fittings to assist in the lubrication operation. Bearings should be greased every ten hours of operations. Use Sten Mix Hi-Temp Grease or equivalent.



## Wheel Bearings

Inspect and repack wheel bearings with grease every three months (more often under extreme dirt, moisture or high temperature conditions).

After packing wheel bearings with grease, be sure to first seat bearings by tightening the spindle nut snug. Turn nut loose and retighten finger tight. Replace cotter pin and dust cap.

**NOTE:** If procedure was done correctly the wheel should spin freely.

See Parts manual for drawings showing parts mentioned above.

## Engine Oil

Use a high quality oil classified for API Service SF or SG. These oils keep the engine cleaner and retard formation of gum and varnish deposits. DO NOT add anything to recommended oil.

## Checking Oil

The engine crankcase oil should be checked daily of every 5 hours of operation.

To check the oil, park the vacuum on a flat, level surface, stop the engine and wipe all debris from around the oil fill plug.

Remove the dip stick and wipe with a clean rag. Replace the stick to the fill spout. Remove the dip stick and observe the level. If the level is low, add clean fresh oil (of the same type and viscosity as in the engine) to bring the level back to the full mark. Replace the oil fill plug being sure to tighten the plug firmly.

**IMPORTANT:** Oil level MUST be maintained at all times or engine damage will result.

## Changing Oil

**IMPORTANT:** Change the oil after the first 5 hours of operation, thereafter change oil every 25 hours of operation (more often in dusty, dirty or moist conditions). Refer to engine manual for proper procedure.

**NOTE:** Run engine briefly to changing oil. Oil will flow more freely and carry away more contamination when warm.

## Air Cleaner

**IMPORTANT:** DO NOT run engine with the air cleaner removed. Operating with an extremely dirty air filter for only a brief period can cause engine damage.

Inspect the air cleaner every (25) twenty-five hours of operation (more often if used under extremely dirty or dusty operating conditions).

To remove the air cleaner cover, remove the wing nut and lift the air cleaner cover from the cover base.

To clean the pre-cleaner, remove it by sliding it off the paper cartridge. Wash foam element in warm Water with a mild detergent. Rinse thoroughly until all traces of detergent are eliminated. Squeeze (don't wring) away excess water and air dry.

Saturate foam cleaner with clean fresh engine oil, wrap in a paper towel or rag and squeeze out excess oil.

Clean cartridge by tapping gently on a flat surface. If very dirty, replace the cartridge or wash in a mild detergent and warm water. Rinse thoroughly, from the inside out with flowing water, until the water is clear. Cartridge must be allowed to stand and air dry thoroughly before using it. Replace cartridge if it is excessively dirty or becomes distorted.

Clean inside of the cover and base thoroughly. Install filter and cover and secure with the hardware.

## Engine Cooling

Then engine is air cooled. Air must circulate freely around the engine from the air intake screen, over the cooling fins or cylinder head and block to prevent overheating.

Every (100) one hundred operating hours or yearly (more often if conditions require) remove the blower housing and clean the cooling fins. Also clean external engine surfaces of dust, dirt and oil deposits which may contribute to improper cooling.

Consult your engine manual when performing any and all maintenance or adjustments to your engine. Locke Turf does not supply replacement manuals for the engine. You will need to contact the engine manufacturer or your local dealer for replacement manuals.

 **CAUTION** 

Periodically clean the muffler and manifold areas of grass, dirt and combustible debris. If engine muffler is equipped with a spark arrestor screen assembly, remove every (50) fifty hours for cleaning and inspection. Replace screen if damaged.

**IMPORTANT:** DO NOT operate engine with blower housing removed - this will cause overheating and damage the engine.

### Battery

 **WARNING** 

Batteries produce explosive gases which can cause personal injury if ignited. DO NOT allow flames, sparks or any ignited object near the battery. When charging or working near a battery, always wear eye protection and provide ventilation.

 **WARNING** 

Keep batteries out of the reach of children. Batteries contain sulfuric acid. Avoid contact with skin, eyes or clothing. In case of acid contact with skin, eyes or clothing, flush immediately with water for a minimum of (15) fifteen minutes. If acid is swallowed, drink large quantities of milk, egg or vegetable oil. Call a physician immediately.

 **WARNING** 

Battery posts, terminals and related accessories contain lead and lead compounds, chemicals known to the State of California to cause cancer and reproductive harm. Wash hands after handling.

Every (25) twenty-five hours or once each week check electrolyte level of each cell by removing caps one at a time. The electrolyte level should be at the level indicator. Use distilled water to fill each cell as required. Install and tighten each cap after checking.

**IMPORTANT:** When distilled water is added to battery during freezing weather, it must be charged to mix water with electrolyte or water will remain at top and freeze.

 **WARNING** 

DO NOT allow tools or other objects to come into contact with both terminals at the same time. When removing battery from unit, remove the negative (-) cable first to reduce risk of sparks.

Keep battery and its terminals clean and inspect monthly to be sure of obtaining best performance.

To clean terminals remove battery from unit. Clean or service away from the unit. Remove corrosion from battery terminals and cable connections with a wire brush, then wash with a weak baking soda and water solution.

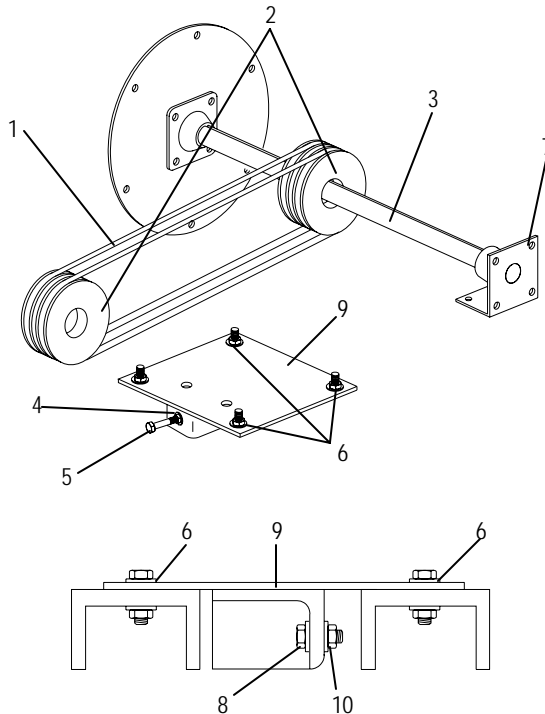
After cleaning, apply a thin coat of grease or petroleum jelly to terminals and cable ends, to retard corrosion. Reinstall battery.

To charge battery remove the battery from the unit, remove the caps and charge at a rate of 6 to 8 amps for (10) ten hours (for a fully discharged battery). (Specific gravity reading of 1260 plus or minus points on all cells.)

 **CAUTION** 

Connect positive (+) cable first, negative (-) cable last.

## Adjustments



1. Belt Sheave
2. Sheaves
3. Impeller Shaft
4. Jam Nut
5. Tension Bolt
6. Engine Mounting Hardware
7. Bearing Mounting Angle
8. Alignment Bolt
9. Engine Mounting Plate
10. Lock Nut

### Belt Replacement

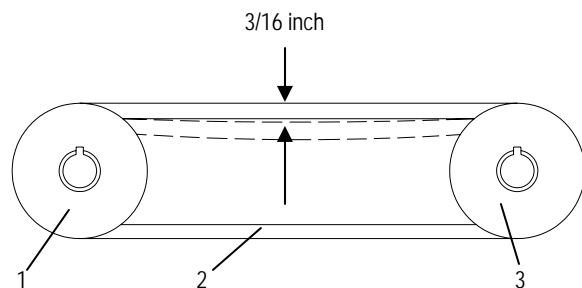
To remove belt:

- Remove belt guard and/or shaft guard and loosen engine mounting hardware
- Loosen tension bolt jam nut and tension bolt.
- Move the engine towards the center of the unit to remove belt tension.
- Remove bearing mounting bracket and bearing from the impeller shaft.
- Remove old belts and replace with new matched set. Replace bearing and angle bracket.
- Check the sheave to sheave alignment with a straight edge. Alignment bolts are located under the engine mounting plate as shown in the above figure.
- Seat belts on sheave and set tension by rotating the tension bolt clockwise.
- Retighten the engine mounting hardware.
- Replace belt guards and/or shaft guards.

### Belt Adjustment

When setting belt tension on used belts, apply (5) five pounds of force at the center of the belt span between the drive and driven sheaves. The belt should deflect 3/16 inch as shown in figure to right.

When setting the belt tension on new belts, apply an (8) eight pound force at the center of the span between the drive and driven sheaves. The belt should deflect 3/16 inch as shown in figure to right.



1. Engine Sheave
2. Belt Set
3. Impeller Sheave

## Cleaning and Storage

Your authorized Locke Turf dealer is trained and equipped to service your vacuum. A periodic checkup by your dealer will help reduce your maintenance costs.

Inspect the vacuum for visible signs of wear, breakage or damage. Order any parts required and make necessary repairs to avoid delays when beginning use again.

Replace warning and safety decals which have become damaged, illegible or are missing.

Sweep the unit with a soft bristle brush to remove accumulated debris. Clean with a soft cloth and mild detergent to remove dust and dirt.

**IMPORTANT:** Avoid spraying the unit directly with water to protect bearing seals, engine parts and electrical components from moisture damage.

Ensure that all guards, panels, and covers are in place and securely fastened. Inspect all hardware for tightness at regular intervals. Ensure that the unit is in safe working condition.

Clean the vacuum thoroughly. Repaint metal surfaces that may have been scratched or damaged during use.

### Engine

When storing the vacuum for extended periods, we recommend stabilization of fuel with a gum and varnish preventing antioxidant stabilizer or to empty the fuel tank and carburetor.



**Locke Turf**

**307 Highway 52E, Opp, Alabama, 36467, (334) 493-1300**